

EDITION N°2



Structure your plantations!
With our range of fixings
Végécâble® | **Végé'nox®** | **Végégrille®**


Vos créations prennent forme !



TIGHTENING STUD VÉGÉCÂBLE®

Quick and efficient installation!

The tightening stud Vegecable is a 2-in-1 product: it combines **an anodised aluminium spacer** which serves as a support for the stainless steel cables on which plants can climb; to a **clever swivel head system allowing to roll up the cable to tighten and lock it off.**

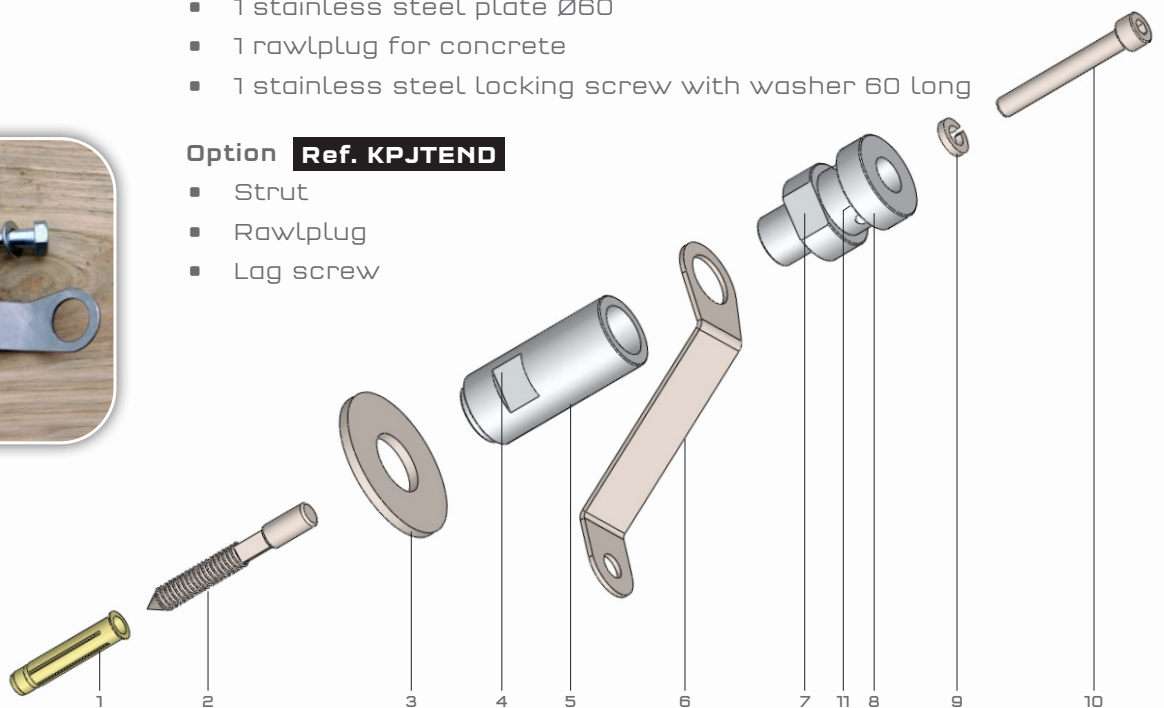
This system is very economical as it reduces considerably the fitting time and the need for various accessories such as eyebolts or cable ties.

Delivered in a complet kit **Ref. KPITEND**

- 1 anodised aluminium stud 100mm long with a swivel head
- 1 anchoring screw by threaded stud M10 80 long
- 1 stainless steel plate Ø60
- 1 rawlplug for concrete
- 1 stainless steel locking screw with washer 60 long

Option **Ref. KPJTEND**

- Strut
- Rawlplug
- Lag screw



TIGHTENING STUD VÉGÉCÂBLE®

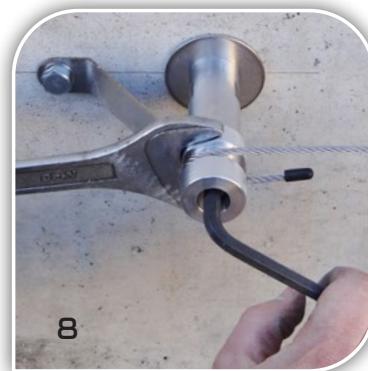
Quick and efficient installation!

Ref. KPITEND

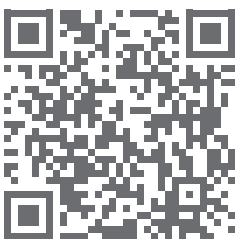


TECHNICAL INFORMATION

1. Identify the location of the stud, trace and drill
2. Position the rawlplug supplied in the kit (1)
3. Screw and lock off the fixed part of the stud (2/3/5) (24mm spanner (4))
4. Position and fix the strut (6)
5. Introduce the cable into the swivel head of the stud (8, 11)
6. **Position the swivel head into the fixed stud** and maintain in position with the screw (10) with its washer (9)
7. Slightly tighten the screw (10), keeping the swivel head free to move
8. **Tighten the cable by turning the head (8)** in an anticlockwise direction, using a 30mm spanner (7)
9. **Maintain the cable tension and block in this position the swivel head** using the screw (10)
10. Remove the surplus cable and put the rubber end cable protector in place.



Watch our how-to video on our YouTube channel





VERSATILE STUD VEDECABLE® Your unlimited imagination!

This versatile stud, as its name suggests, has multiple possibilities when passing the cables (see page 5 for the schematic).

It is positioned on the extremities or the centre of your project. Its locking screw allows, after tensioning, to hold the cable in position.

In certain cases (2 and 3) a strut is necessary to counter the pulling force created by the cable



Delivered in a complet kit **Ref. KP1**

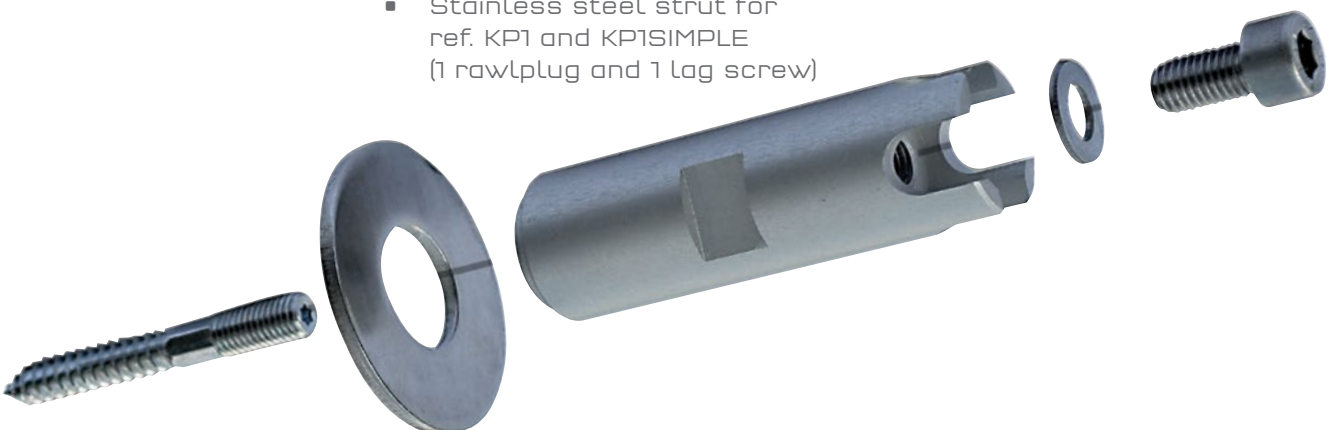
- 1 anodised aluminium stud 100mm long
- 1 stainless steel plate Ø60
- 1 locking screw and washer in stainless steel Ø10
- 1 anchoring screw by threaded stud M10 80 long
- 1 rawlplug for concrete

Delivered in a complet kit **Ref. KP1SIMPLE**

- 1 anodised aluminium stud 100mm long
- 1 locking screw and washer in stainless steel Ø10
- 1 stainless steel plate Ø60

Option **Ref. KPJAMB**

- Stainless steel strut for ref. KP1 and KP1SIMPLE (1 rawlplug and 1 lag screw)



VERSATILE STUD VÉGÉCÂBLE®

Your unlimited imagination!

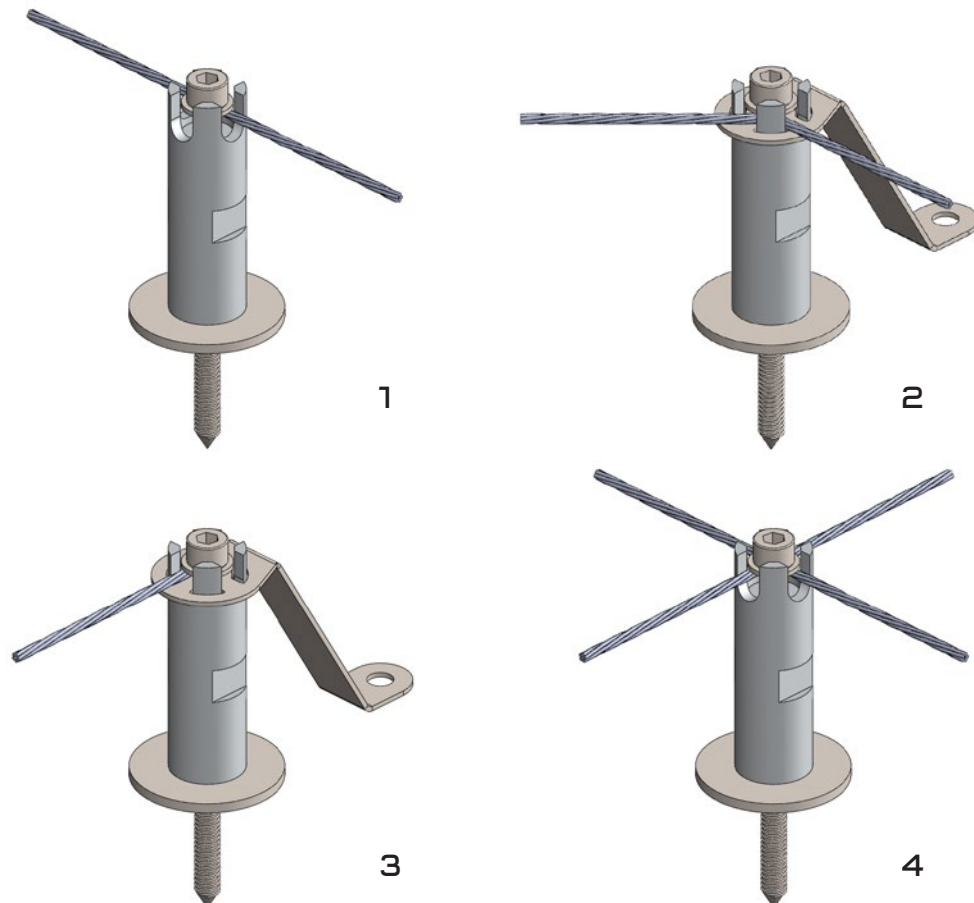


Ref. KP1 et KPISIMPLE



TECHNICAL INFORMATION

Examples of cable passages



Anodising treatment: voluntary oxydisation of the superficial layer of aluminium carried out in sulfuric medium et forms a thin layer of aluminium oxyde. This treatment ensures the long life of the product.

Cable: - Steel 7 x 19 straight crossed stainless steel metal $\varnothing 4$ nuance 1570N/ MM2, CRM 950 Kn
- Galvanised steel 7 x 19 straight crossed $\varnothing 4$ norme ISO 2408, CRM 1270 Kn

INTERIOR STUD®

Optimise your installations

Ref. KPINT



Interior stud

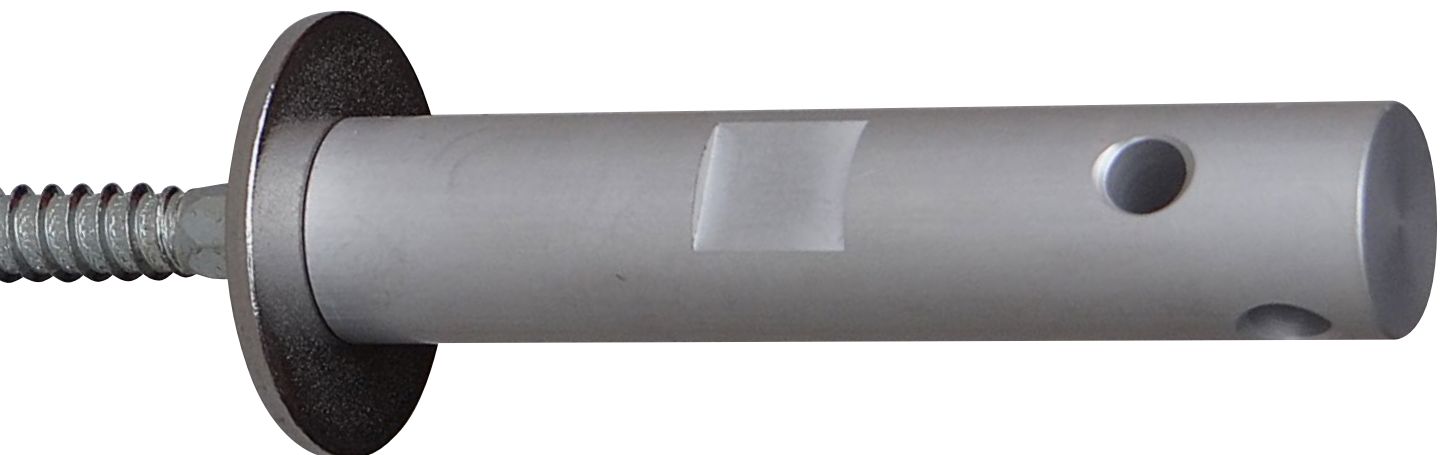
Your unlimited imagination!

This anodised aluminium spacer supports the cables at each intersection and keeps them away from the wall. Assembly is done very quickly with 16mm spanner.



Delivered in a complet kit **Ref. KPINT**

- 1 anodised aluminium intersection stud 100mm long Ø20
- 1 stainless steel plate Ø40
- 1 anchoring screw by threaded stud M10 80 long
- 1 rawlplug for concrete



MULTIPLE STARTS STUD®

Optimise your installations



Ref. KPMULTI



Multiple starts stud

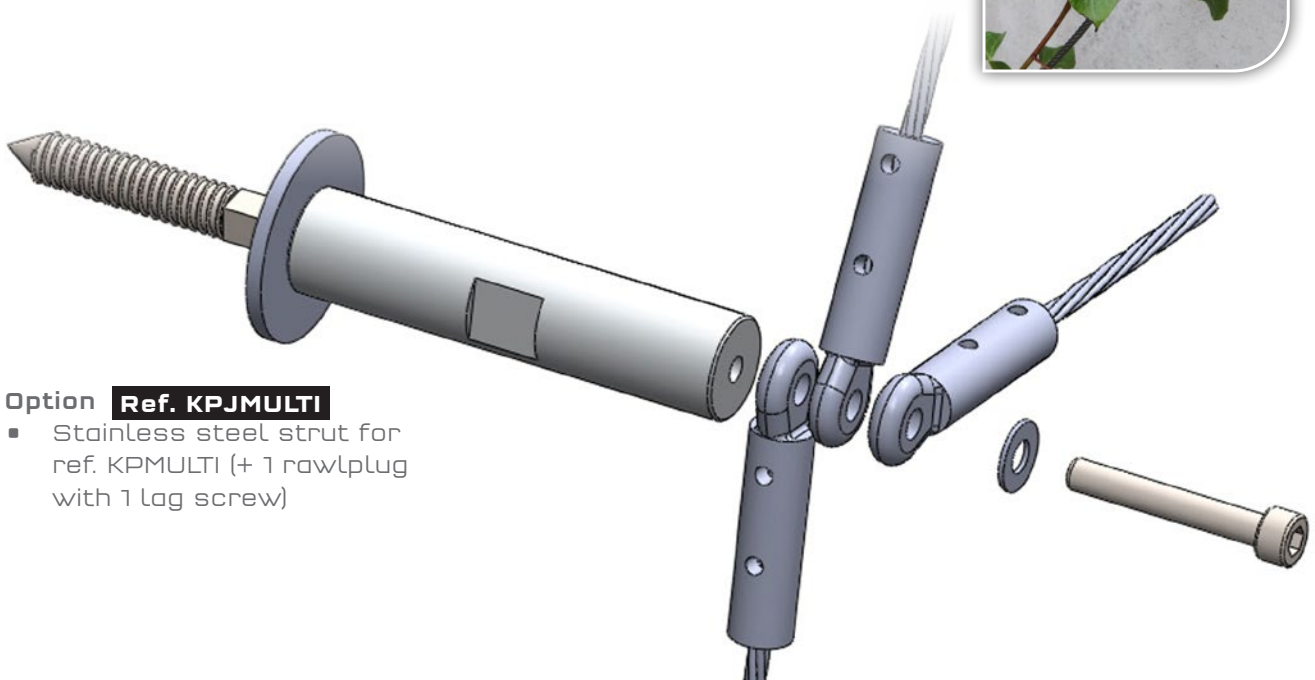
Your unlimited imagination!

The multiple starts stud Vegecable® serves as a starting point for the cables. Associated with eye bolts, it is very quickly to implement.

Designed for fixing 1 to 5 feeders, it will allow you to carry out all your projects, from the simplest to the most complex. It will fit perfectly with the other studs in our range.

Delivered in a complet kit **Ref. KPMULTI**

- 1 multiple start stud in anodised aluminium 90mm long Ø20
- 1 stainless steel plate Ø40
- 1 anchoring screw by threaded stud M10 80 long
- 1 rawlplug for concrete
- 1 screw CHC M6 x 60 with washer



Option **Ref. KPJMULTI**

- Stainless steel strut for ref. KPMULTI (+ 1 rawlplug with 1 lag screw)



Stainless steel mounting plate

This stainless steel 3mm thick plate fixes to the ground, to the wall or to the ceiling and serves as a sturdy hold at the start of the cable.

Delivered in a complet kit **Ref. KPPLAT**

1 plate with 2 lag screws and 2 rawlplugs for concrete, threaded stud M10 80 long + 1 rawlplus for concrete
Dimensions: 75 x 75mm



Stainless steel or galvanized steel cable Ø4

Ref. KPCABLE



Stainless steel cable clamp (packet of 10)

Ref. KPSERR



Stainless steel duplex flat cable tie (packet of 5) for 4mm 43mm x 17mm cable - screw M5

Ref. KPDUP



PVC protective cap for cable (packet of 10)

Ref. KPPROT



Stainless steel plant support (packet of 10)

Ref. KPSOUT



Decorative stainless steel plant support (packet of 10)

Ref. KPSOUTD

VÉGÉCÂBLE® ACCESSORIES

Optimise your installations



Eye bolts **Ref. KPOEIL**

In stainless steel AISI316
 Length: 52mm - Ø12mm Drilling: 6,5mm - Blocking: 3 screws
 Cable presence control holes



Clevis screw bit **Ref. KPCHAP**

In stainless steel AISI316
 Length: 52mm - Ø12mm
 Drilling: 6.5mm
 Blocking: 3 screws
 Cable presence control holes



Cross cable tie **Ref. KPCROI**

Cross cable tie in stainless steel AISI316
 For 4mm cable maximum

Height: 21mm - Ø20mm - M12 screw



Stainless steel eye tensioner

Ref. KPTEND



Ref. KPTENDC

Felco C7 cable cutters

Ref. KPCOUP



Insulation spacer

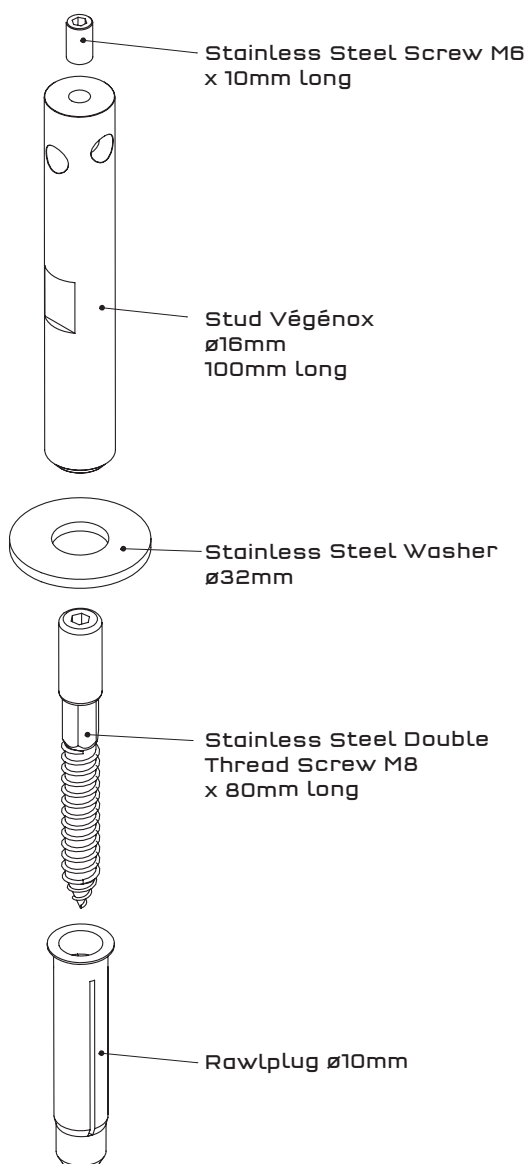
Variable heights available upon request

Ref. KPI50



VÉGÉ'NOX®

NEW



Végé'nox® Creative layouts

Vegenox is a support and guidance system for encouraging plant growth on walls, 100% stainless steel (spacers and spindles).

It is aesthetic and elegant and will satisfy even the most demanding of projects, leaving room for your creativity. The simplicity and rapidity in assembly makes for an economical solution.

Fabricated in stainless steel of a nuance of 304L, it is durable, recyclable and can be installed indoors as well as outdoors.

This system is recommended for all climbing plants with tendrils, plus those intended to espalier on walls and elevations.

Végé'nox® stud delivered complete **Ref. PV100**
ready to fix on a concrete wall

- 1 stainless steel stud 304L Ø16mm 100mm long
- 1 stainless steel plate Ø32mm
- 1 stainless steel locking screw Ø6mm
- 1 anchoring screw by threaded stud M8 80 long
- 1 rawlplug for concrete Ø10x50mm

The stainless steel stems are Ø4mm and exist in 1m, 1.5m or 3m (ref. TGN0X).



01



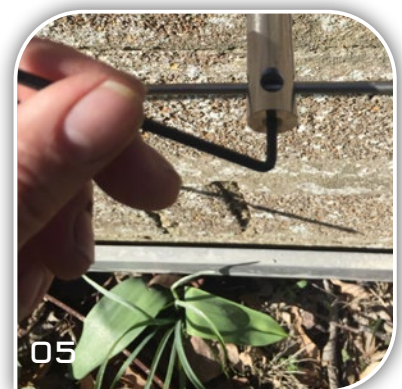
02



03



04



05



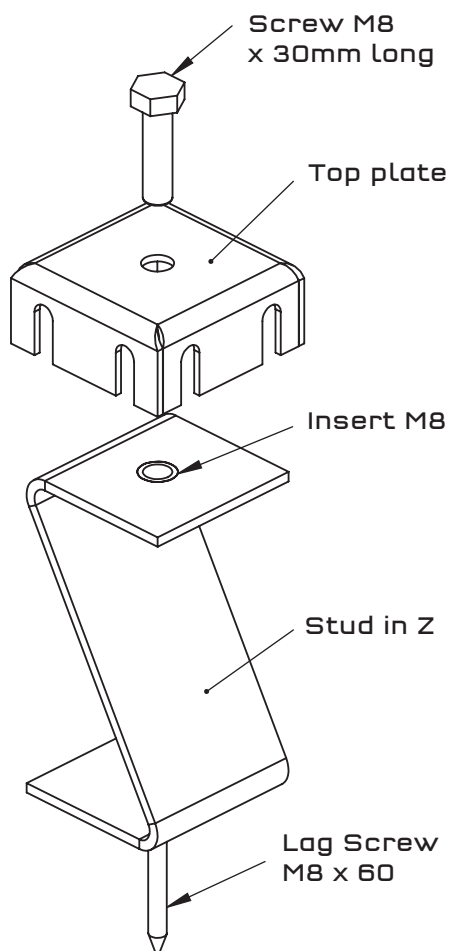
06

1. Stainless steel stem 304L ref. TGN0X 1m, 1.5m or 3m
2. Cross cable tie ref. KPCROI to cross 2 stems
3. Single cable tie ref. KPSERR
4. Tightening of the stud with a 13mm spanner
5. Locking off the steps with a 3mm Allen key
6. Composition of the kit ref. PV100



Z STUDS VÉGÉGRILLE®

NEW



Végégrille®

Efficient and economical

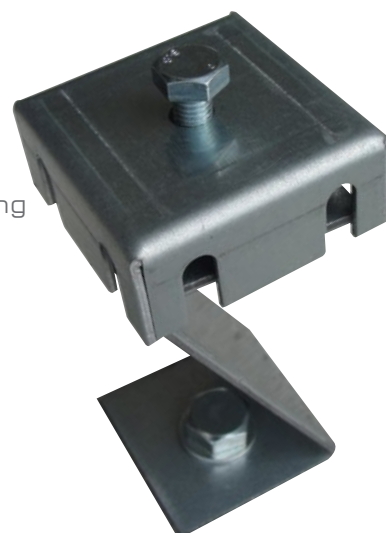
Vegegrille is an economical solution to create a wall mounted trellis, supporting climbing plants.

The Z shaped stud Vegegrille is fabricated in galvanised steel 3mm thick. The top part is 2mm thick galvanised steel.

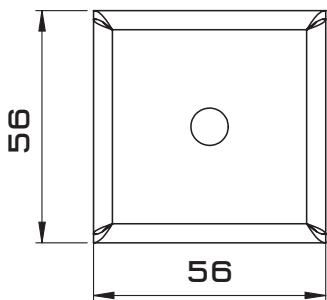
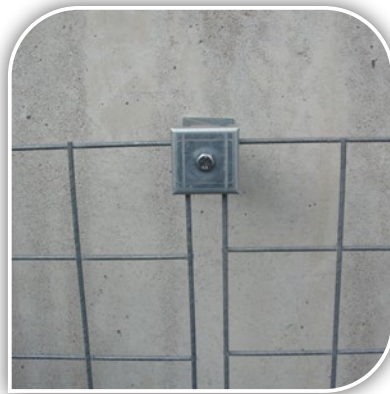
The Z shaped stud Vegegrille can take 1 to 4 grills with a starting point of 100mm out from the wall.

The grills are made from steel wire $\varnothing 4.5\text{mm}$, with a galvanised coating by a zinc/aluminium alloy providing exceptional resistance to corrosion. The mesh is 100x100.

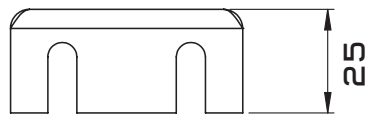
The Z studs Vegegrille® are delivered complete:
Z stud + top
+ 1 M8 screw 30mm long
+ plastic rawlplug $\varnothing 10$
and lag screw $\varnothing 8$ 60mm long



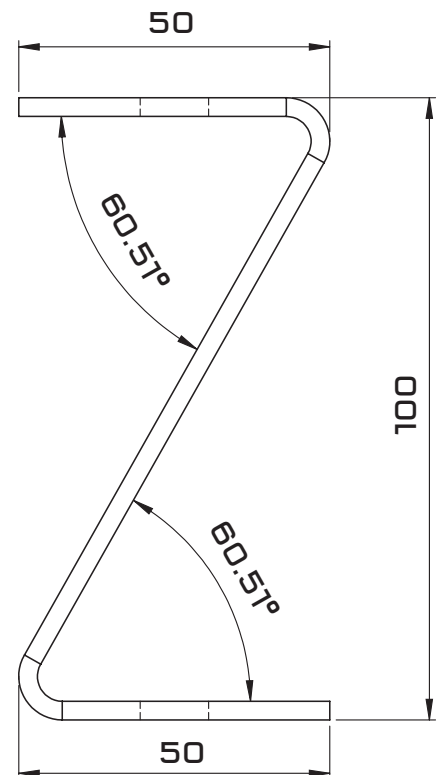
Z STUDS VÉGÉGRILLE®



2mm galvanised steel



Material:
Z275 galvanised steel
Cuts and edges are not treated



ASSIGNMENT OF REFERENCES SPECIFICALLY FOR PLANTERS

Reference	Designation
VEGEZ	Z stud (complet kit: Z stud + top + 1 M8 screw 30mm long + 1 plastic rawlplug Ø10 and lag screw Ø8 60mm long)
VEGE55	Grid mesh 100x100 - dimensions:500mmx500mm
VEGE105	Grid mesh 100x100 - dimensions:1000mmx500mm
VEGE101	Grid mesh 100x100 - dimensions:1000mmx1000mm
VEGE201	Grid mesh 100x100 - dimensions:2000mmx500mm

Studs and cables Vegecable®



Our fast and economical systems of implementation adapt to all your projects. Your imagination is the only limit. Whatever the type of climbing plant (vine, tendril, spike, sucker, branch), the Vegecable system will ensure optimal support, allowing the development and growth of the plant for a successful plant decoration.

Made in France, our anodised aluminium studs guarantee quality and longevity. Our stainless or galvanised steel cables meet the European standards and our accessories are fabricated from 304L stainless steel.

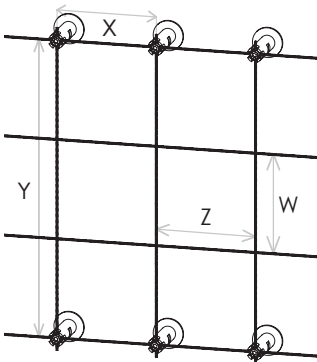


The cables must be slightly stretched: the cable tension must be even to avoid excessive tensile loads on the anchor blocks and struts, but still enough to prevent plants from fluttering in the wind.

Minimum/maximum distance between elements:

W: between 200-600mm X: between 200-1200mm

Y: between 400-2000mm Z: between 200-1200mm



The pull-out resistance of the Vegecable studs depends largely on the nature and quality of the construction materials on which they are fixed. For the calculation of the resistance, 5 pull-out tests are necessary on the support and a safety factor of 7 will be applied with plastic dowels.

Example :

Maximum working load =

The average result
of 5 tests

Safety factor of 7

To calculate the load, take the weight of the plant in a linear metre with a safety factor of 8 corresponding to the weight of water/frost/snow/wind force.

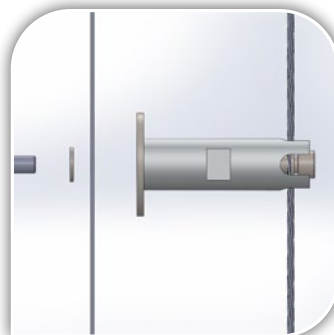
LAYING PRINCIPLES

The Vegecable studs can be fixed to all materials:



Fixing to concrete with rawlplugs:

the stud and strut,
drill Ø12, 2
thread stud Ø10



Fixing to metal:

the stud and strut,
drill Ø11,
1 M10 TH screw



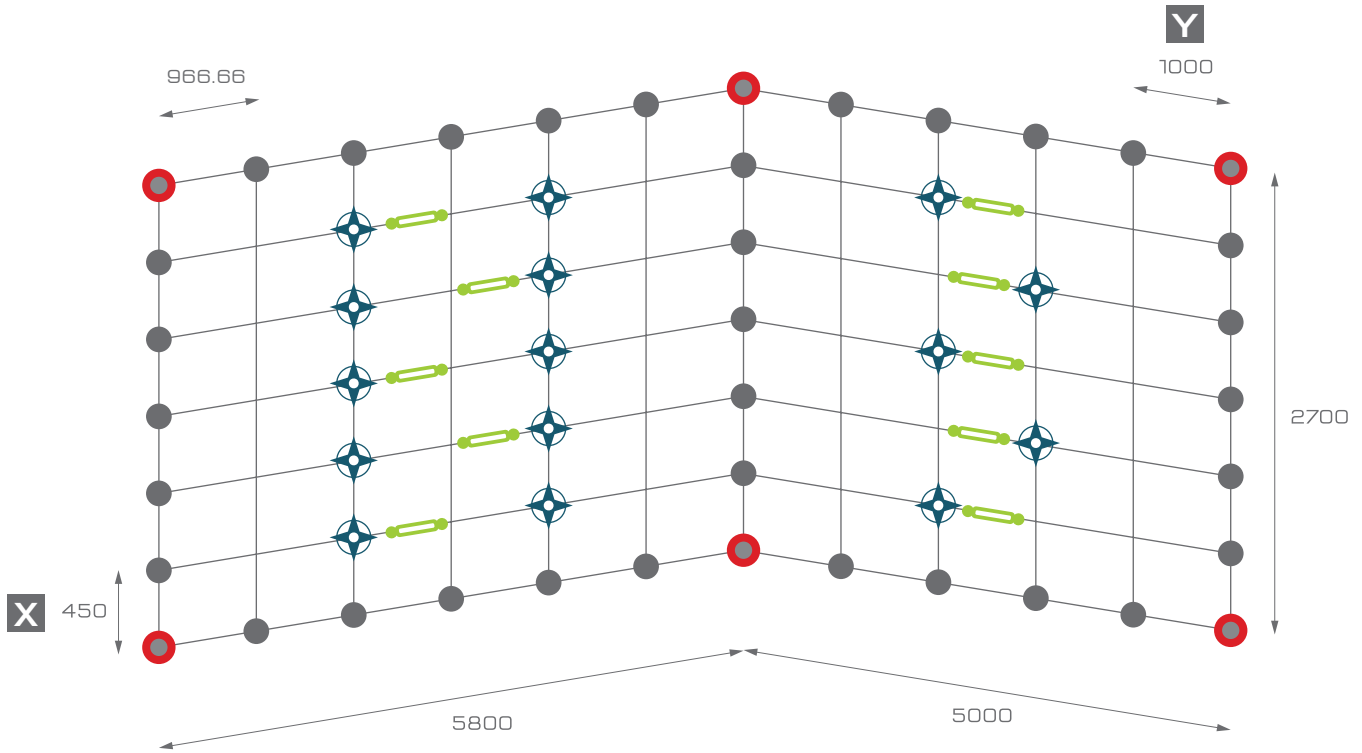
Fixing to wood:

the stud and strut,
drill Ø8.5
approximately, 2
thread stud Ø10



For electrical compliance, the earthing of the system is essential.

Quote study principles



Quote for 1 wall 5.8m x 5m x 2.7m LIGHT STRUCTURE X = 450 / Y = 1000

REF		DESIGNATION	QTY	UNIT PRICE	PRICE
KPI	●	- 1 aluminium stud Ø30 100mm Long - 1 plate Ø60 - 1 screw and 1 washer Ø10 - 1 anchoring screw M10 with rawlplug	39		
KP INT	⊕	- 1 aluminium stud Ø20 100mm Long - 1 plate Ø16 - 1 anchoring screw M10 - 1 rawlplug	15		
KPCABLE		Stainless steel cable Ø4	110		
KPTEND	⌋	Stainless steel eye tensioner	10		
KPPROT		PVC toe cap (packet of 10)	6		
KPSERR		Cable clamp (packet of 10)	6		
KPJAMB	●	Strut	6		
TOTAL					



ZA La Gare - 79310 Saint-Pardoux-Soutiers - France

Tel:+33 (0)5 49 63 45 82

Fax:+33 (0)5 49 63 46 04

Site:www.poitou-decors.fr

Email:poitou-decors@orange.fr

Structure your plantations!

With our range of fixings

Végécâble® | **Végé'nox®** | **Végégrille®**

YOUR DISTRIBUTOR